



www.stefasergon.gr

 **Stefasergon**
construction machinery



PE Series Jaw Crusher

Applications: Advantages:

PRIMARY CRUSHING:

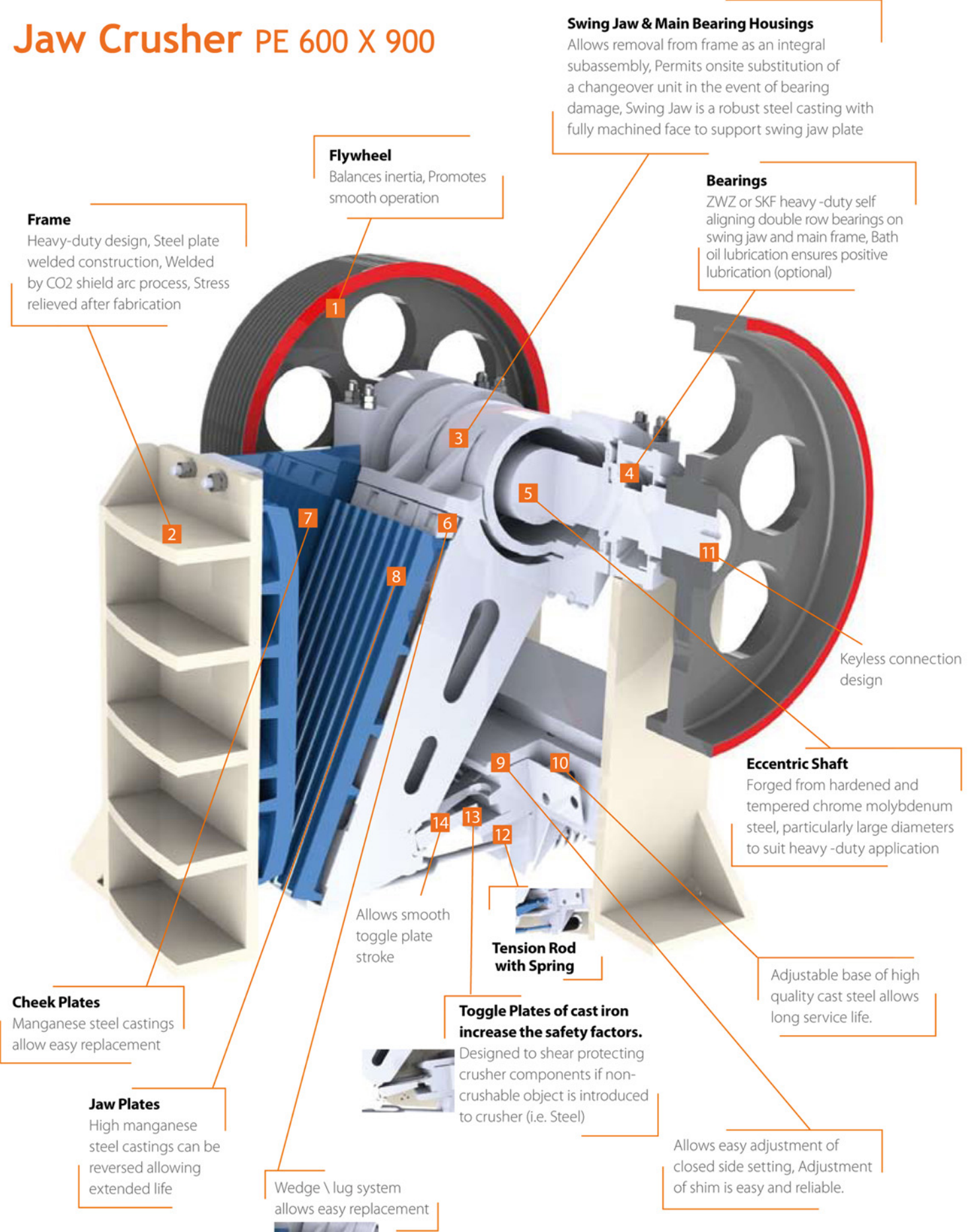
- Mining
- Aggregate
- Demolition
- Industrial
- Construction
- Environmental
- Heavy Duty Design
- Long Life
- Cost Effective
- Standard Replacement Parts
- High Productivity



Specification and Technical Parameter

Specification	Feed Opening (mm)	Max Feeding Size (mm)	Adjustable Size of Discharge Opening (mm)	Capacity (t/h)	Motor Power (kW)	Weight (t)	Dimension (mm)
PE-150x250	150x250	125	10~40	1~5	5.5	0.81	875x758x850
PE-150x750	150x750	125	10~40	5~16	15	3.8	1200x1530x1060
PE-250x400	250x400	210	20~60	5~20	15	2.8	1450x1315x1296
PE-400x600	400x600	340	40~100	16~65	30	6.5	1565x1732x1586
PE-500x750	500x750	425	50~100	45~100	55	10.1	1890x1918x1870
PE-600x900	600x900	500	65~160	50~120	55~75	15.5	2305x1840x2298
PE-750x1060	750x1060	630	80~140	52~180	110	28	2450x2472x2840
PE-900x1200	900x1200	750	95~165	140~260	110	50	3335x3182x3025
PE-1000x1200	1000x1200	850	195~265	315~342	110	57	3435x3182x3025
PE-1200x1500	1200x1500	1020	150~300	400~800	160	100.9	4200x3732x3843
PEX-250x750	250x750	210	25~60	15~30	22	4.9	1667x1545x1020
PEX-250x1000	250x1000	210	25~60	16~52	30~37	6.5	1530x1992x1380
PEX-250x1200	250x1200	210	25~60	20~60	37	7.7	1900x2192x1430
PEX-300x1300	300x1300	250	25~105	20~90	75	11	2720x1950x1600

Jaw Crusher PE 600 X 900



Swing Jaw & Main Bearing Housings

Allows removal from frame as an integral subassembly, Permits onsite substitution of a changeover unit in the event of bearing damage, Swing Jaw is a robust steel casting with fully machined face to support swing jaw plate

Flywheel

Balances inertia, Promotes smooth operation

Bearings

ZWZ or SKF heavy-duty self aligning double row bearings on swing jaw and main frame, Bath oil lubrication ensures positive lubrication (optional)

Frame

Heavy-duty design, Steel plate welded construction, Welded by CO2 shield arc process, Stress relieved after fabrication

Keyless connection design

Eccentric Shaft

Forged from hardened and tempered chrome molybdenum steel, particularly large diameters to suit heavy-duty application

Tension Rod with Spring

Adjustable base of high quality cast steel allows long service life.

Toggle Plates of cast iron increase the safety factors.

Designed to shear protecting crusher components if non-crushable object is introduced to crusher (i.e. Steel)

Cheek Plates

Manganese steel castings allow easy replacement

Jaw Plates

High manganese steel castings can be reversed allowing extended life

Allows smooth toggle plate stroke

Allows easy adjustment of closed side setting, Adjustment of shim is easy and reliable.

Wedge \ lug system allows easy replacement



Horizontal Shaft Impact Crusher

Applications:

SECONDARY/TERTIARY CRUSHING:

- Mining
- Aggregate
- Demolition
- Industrial
- Construction
- Environmental

Advantages:

- Simple structure
- Simplified crushing process
- High-efficiency and energy conservation
- Cubic shaped desired products
- The discharge opening can be adjusted

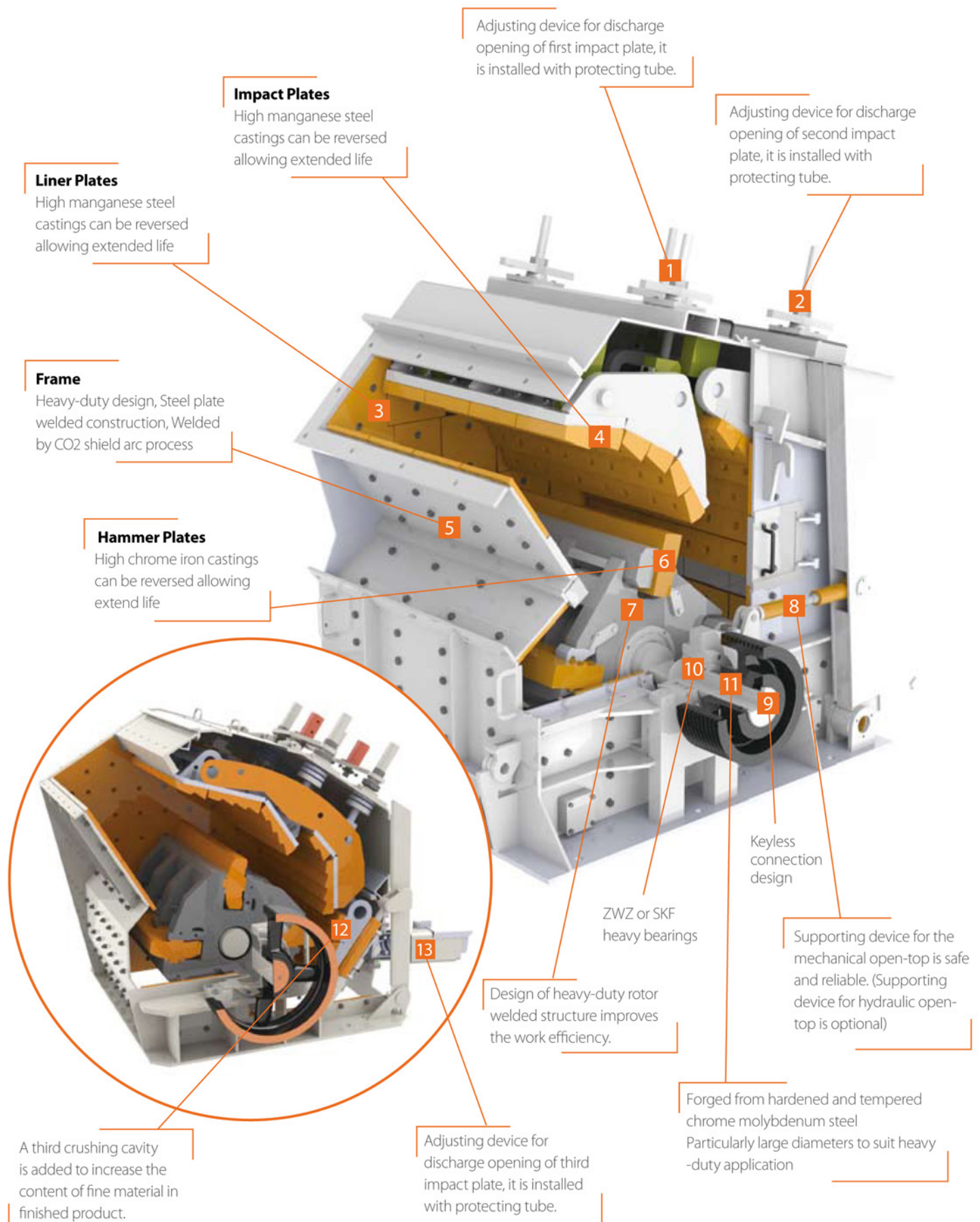


PF Series - Two cavities

Model	Specification (mm)	Feed Opening (mm)	Max. Feeding Size (mm)	Capacity (t/h)	Power (kW)	Weight(t) (Excluding Electric Motor)	Overall Dimensions(mm) (LxWxH)
PF-1007	Φ1000x700	400x730	300	35~50	37	9.5	2400x1560x2660
PF-1010	Φ1000x1050	400x1080	350	50~80	75	12.6	2440x2250x2630
PF-1210	Φ1250x1050	400x1080	350	70~120	110	14	2700x2340x2870
PF-1214	Φ1250x1400	400x1430	350	80~160	132	18.58	2700x2440x2900
PF-1315	Φ1300x1500	860x1520	500	160~260	200	24.2	2860x2800x3050

PF(V) Series - Three cavities

Model	Specification (mm)	Feed Opening (mm)	Max. Feeding Size (mm)	Capacity (t/h)	Power (kW)	Weight(t) (Excluding Electric Motor)	Overall Dimensions(mm) (LxWxH)
PF-1010V	Φ1000x1050	400x1080	350	50~80	55~75	13.2	2400x2250x2660
PF-1210V	Φ1250x1050	400x1080	350	70~120	110~132	15.2	2696x2338x2890
PF-1214V	Φ1250x1050	400x1080	350	130~180	132~160	20	2690x2688x2890
PF-1310V	Φ1300x1050	490x1170	350	70~120	110~160	13.5	2780x2478x2855
PF-1315V	Φ1320x1050	860x1520	350	150~220	180~220	20.5	3096x3273x2667
PF-1515V	Φ1500x1500	850x1580	350	220~280	280~315	29.5	3550x2835x3270



Adjusting device for discharge opening of first impact plate, it is installed with protecting tube.

Impact Plates
High manganese steel castings can be reversed allowing extended life

Adjusting device for discharge opening of second impact plate, it is installed with protecting tube.

Liner Plates
High manganese steel castings can be reversed allowing extended life

Frame
Heavy-duty design, Steel plate welded construction, Welded by CO2 shield arc process

Hammer Plates
High chrome iron castings can be reversed allowing extend life

Keyless connection design

ZWZ or SKF heavy bearings

Supporting device for the mechanical open-top is safe and reliable. (Supporting device for hydraulic open-top is optional)

Design of heavy-duty rotor welded structure improves the work efficiency.

Forged from hardened and tempered chrome molybdenum steel Particularly large diameters to suit heavy-duty application

A third crushing cavity is added to increase the content of fine material in finished product.

Adjusting device for discharge opening of third impact plate, it is installed with protecting tube.



PY Series Spring Cone Crusher

Applications:

SECONDARY/TERTIARY CRUSHING:

- Mining
- Aggregate
- Demolition
- Industrial
- Construction
- Environmental

Advantages:

- Reliable construction
- High productivity
- Easy adjustment
- Low operation cost



PY series spring cone crusher

Mode	Diameter of Bottom End of Conical Crushing Head (mm)	Max Feeding Size(mm)	Adjustable Range Of Discharge Opening (mm)	Crushing Capacity (t/h)	Motor Power (kW)	Rev.of Eccentric Shaft(r/min)	Weight (t)	Overall Dimension (LxWxH)(mm)
PYB900	900	115	15~50	50~90	55	333	11.2	2692x1640x2350
PYZ900	900	60	5~20	20~65	55	333	11.2	2692x1640x2350
PYD900	900	50	3~13	15~50	55	333	11.3	2692x1640x2350
PYB1200	1200	145	20~50	110~168	110	300	24.7	2790x1878x2844
PYZ1200	1200	100	8~25	42~135	110	300	25	2790x1878x2844
PYD1200	1200	50	3~15	18~105	110	300	25.3	2790x1878x2844
PYB1750	1750	215	25~50	280~480	160	245	50.3	3910x2894x3809
PYZ1750	1750	185	10~30	115~320	160	245	50.3	3910x2894x3809
PYD1750	1750	85	5~13	75~230	160	245	50.2	3910x2894x3809
PYB2200	2200	300	30~60	590~1000	260~280	220	80	4622x3302x4470
PYZ2200	2200	230	10~30	200~580	260~280	220	80	4622x3302x4470
PYD2200	2200	100	5~15	120~340	260~280	220	81.4	4622x3302x4470

Main shaft

Forged from hardened and tempered chrome molybdenum steel
Particularly large diameters to suit heavy-duty application

Cone and mantle plate, High manganese steel castings.

High quality copper socket liner can bear high crushing load, and allows the machines working under rigorous working condition.

High quality spring and overload protection.

Oil film seal, ensure the machine works well.

Main shaft can distribute the lubrication oil to each high performance bearings.

Drive shaft assembly is supported by the bronze shaft sleeve, and the entire assembly can be dismantled for convenience of maintenance.



Pinion gear and bull gears with high strength and high precision are adopted to ensure the reliable operation of equipment.

Multi-point control of an independent lubrication system to ensure that the machine bearings lubricated dual protection, and automatic machine can achieve security



WKS Series High-Efficiency Cone Crusher (Symons Cone Crusher Type)

Applications:

SECONDARY/TERTIARY CRUSHING:

- Mining
- Aggregate
- Demolition
- Industrial
- Construction
- Environmental

Advantages:

- Hydraulic Clearing
- Hydraulic Adjustment
- Heavy Duty Design
- High Productivity
- Long Life
- Standard Replacement Parts
- Cost Effective



Standard symons series Cone Crusher

Type	Dia. of cone (mm /inch)	Cavity	Feed opening (mm)	Discharge setting (mm)	Capacity (t/h)	Counter shaft (r/min)	Power (kW)	Weight (t)	Overall dimension (mm)
WKS90-B (3 ft)	900 (3')	Fine	102	9-22	45-91	580	75	15	2656x1746x2241
		Coarse	175	13-38	59-163				
		Extra coarse	178	25-38	118-163				
WKS155-B (4 ¼ ft)	1295 (4 ¼')	Fine	137	13-31	109-181	485	155	27	2809x2354x3156
		Medium	210	16-38	132-253				
		Coarse	241	19-51	172-349				
		Extra	259	25-51	236-358				
WKS220-B (5 ½ ft)	1676 (5 ½')	Fine	209	16-38	181-327	485	220	55	3911x2870x3771
		Medium	241	22-51	258-417				
		Coarse	269	25-64	299-635				
WKS320-B (7 ft)	2134 (7')	Extra	368	38-64	431-630	435	315	110	4613x3251x4732
		Fine	278	19-38	381-726				
		Medium	334	25-51	608-998				
		Coarse	369	31-64	789-1270				
		Extra	460	38-64	880-1361				

Short head symons series Cone Crusher

Type	Dia. of cone (mm /inch)	Cavity	Feed opening (mm)	Discharge setting (mm)	Capacity (t/h)	Counter shaft (r/min)	Power (kW)	Weight (t)	Overall dimension (mm)
WKS90-D (3 ft)	900 (3')	Fine	41	3-13	27-90	580	75	15	2656x1746x2410
		Coarse	60	3-16	27-100				
		Extra coarse	76	6-19	59-127				
WKS155-D (4 ¼ ft)	1295 (4 ¼')	Fine	64	3-16	36-163	485	155	27	2958x2254x3156
		Medium	89	6-16	82-163				
		Coarse	105	10-25	109-227				
		Extra	133	19-25	209-236				
WKS220-D (5 ½ ft)	1676 (5 ½')	Fine	70	5-13	90-209	485	220	55	3917x2870x3771
		Medium	89	6-19	136-281				
		Coarse	133	10-25	190-336				
WKS320-D (7 ft)	2134 (7')	Extra	133	10-25	253-336	435	315	110	4130x3251x4454
		Fine	105	5-16	190-408				
		Medium	133	10-19	354-508				
		Coarse	178	13-25	454-599				
		Extra	203	16-25	508-653				

Main shaft

Forged from hardened and tempered chrome molybdenum steel
Particularly large diameters to suit heavy -duty application

Hydraulic lock device is convenient and reliable.

Adoption of hydraulic adjusting device is convenient for regulation of discharge opening.

Cone and mantle plate

High manganese steel castings. Hydraulic lock device is convenient and reliable.

High quality spring and overload protection

Hydraulic cleaning device can remove the foreign body if non-crushable object is delivered into to the crusher

High quality copper socket liner can bear high crushing load, and allows the machines working under rigorous working condition.

Main shaft can distribute the lubrication oil to each high performance bearings.

Oil film seal, ensure the machine works well.

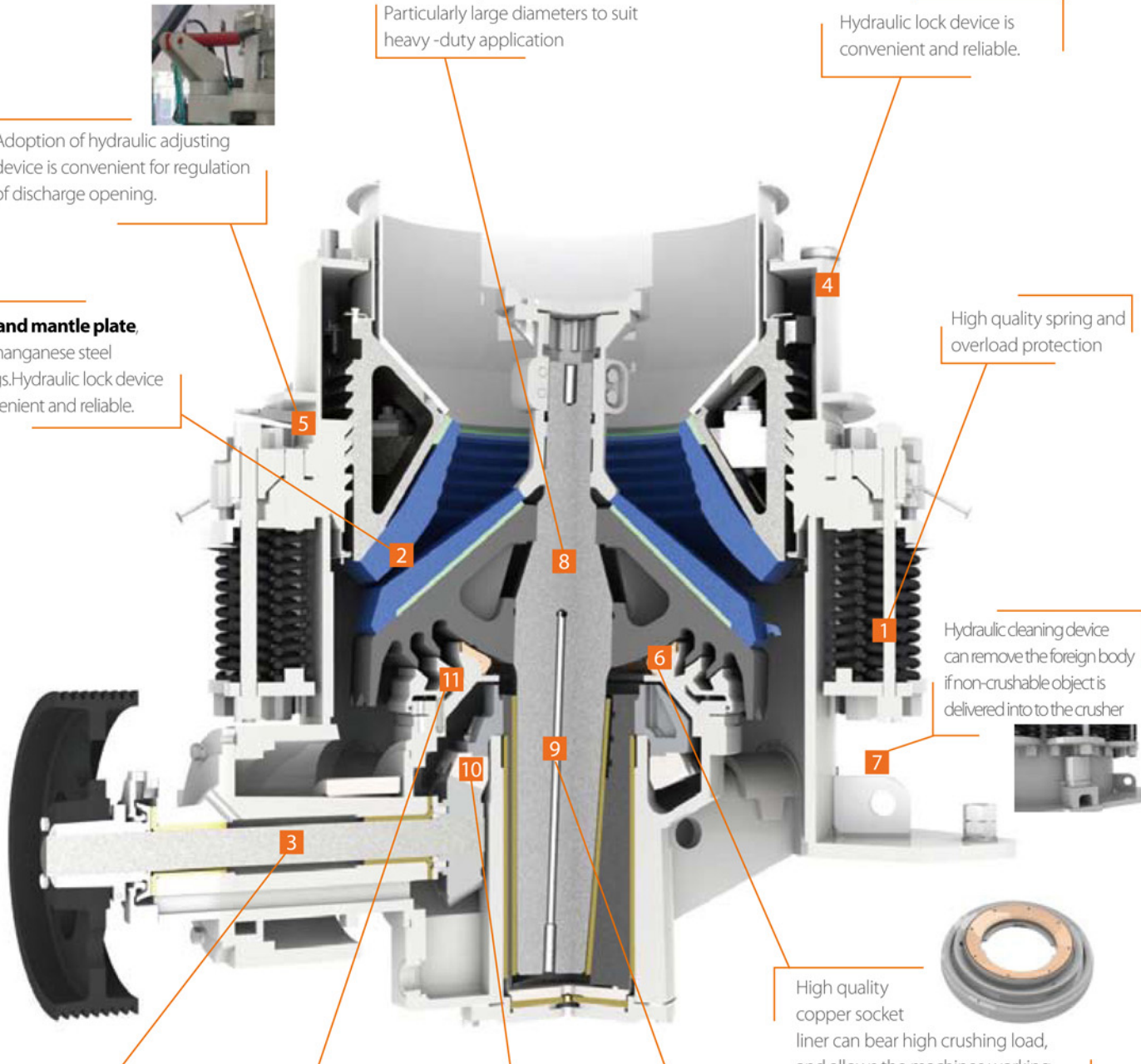
Drive shaft assembly is supported by the bronze shaft sleeve, and the entire assembly can be dismantled for convenience of maintenance.

Pinion gear and bull gears with high strength and high precision are adopted to ensure the reliable operation of equipment.

Multi-point control of an independent lubrication system to ensure that the machine bearings lubricated dual protection, and automatic machine can achieve security



Hydraulic Station





VSI Series Vertical Shaft Impact Crusher

Applications:

TERTIARY CRUSHING:

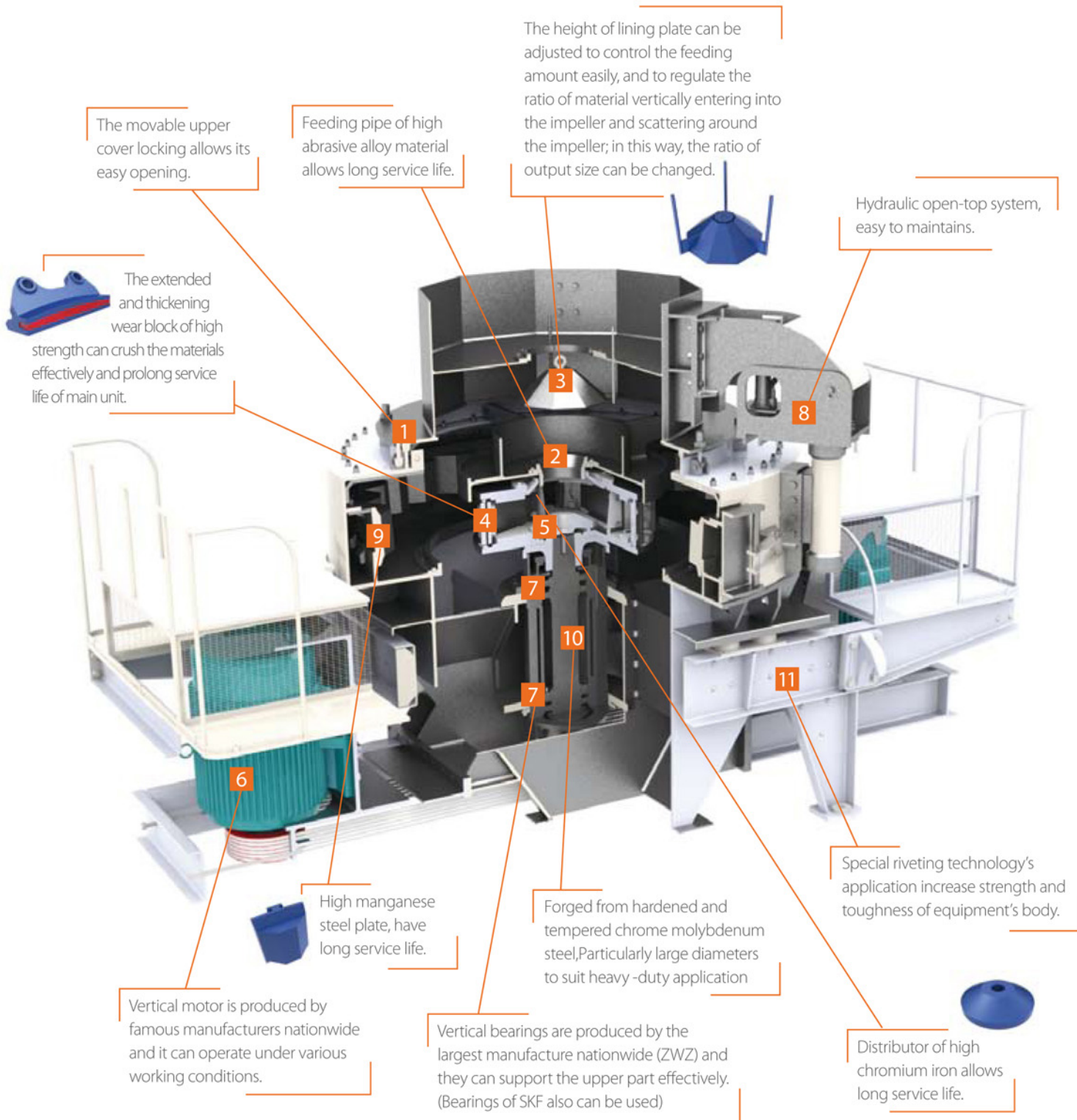
- Mining
- Aggregate
- Stone shaping
- Sand making
- Fireproof material
- Construction
- Environmental

Advantages:

- Different types of feeding and crushing forms
- Higher capacity
- Reduce maintenance cost and extended maintenance period
- Good stone shaping
- High density of piling up
- More wearable and easier maintenance
- Low working noise (lower than 75 decibel) and light dust pollution

VSI Series Vertical Shaft Impact Crusher

Model		VSI7611	VSI8518	VSI9526	VSI1140
Capacity (t/h)	Central feeding with circular cascade feeding	120-180	200-260	300-380	450-520
	Fully central feeding	60-90	100-130	150-190	225-260
Max. feeding size (mm)	Fully central feeding	< 35	< 40	< 45	< 50
	Hard material	< 30	< 35	< 40	< 45
Rotation speed (r/min)		1700-1890	1520-1690	1360-1510	1180-1310
Model of Motor		Y250M-4	Y280M-4	Y315M-4	Y315L2-4
Double motor power (KW)		2x55	2x90	2x132	2x200
Overall dimension (LxWxH) (mm)		4100x2248x2533	4378x2350x2667	4640x2650x2800	5570x2900x3000
Weight (t)		7.8	10.3	16	25.6
Power supply		AC380V,50Hz			
Lubrication Hydraulic Pressure station	Rate of flow (L/min)	6			
	Double oil Pumps motor power (KW)	2x0.31			
	Safety Assurance	Double oil pumps assure enough oil supply. Switch off automatically without oil flow or oil pressure. Lower the temperature with cool water in summer and raise the temperature with motor in winter.			
	Overall dimension (LxWxH) (mm)	820x520x1270			
	Power of oil Tank Heater (mm)	2			



Bearing part should be kept in constant temperature. Oil temperature keeps above 15°C as long as electric cabinet powers on. When oil temperature is above 50°C, external water supplying system (customer providing for himself) starts automatically until the temperature falls below 50°C. If oil temperature keeps above 70°C continuously for 15 minutes, stop signal should be sent to mainframe. Oil pump cycles automatically. If oil temperature is below 15°C after mainframe and oil pump stop, heater starts heating automatically. Oil pump runs automatically for five minutes at the same time to ensure almost being equal between temperature inside bearing tube and oil temperature in oil tank. It can prevent freezing in winter.



Double oil pumps design. Only one of the oil pumps runs for normal use. The other oil pump starts to work when pressure and flow rate don't reach set value. When first on out of order, the other starts automatically to ensure mainframe normal operation.



PCL Series Vertical Shaft Impact Crusher

Applications:

TERTIARY CRUSHING:

- Mining
- Aggregate
- Stone shaping
- Sand making
- Fireproof material
- Construction
- Environmental

Advantages:

- Cubic shape of final products
- High density of piling up
- More wearable and easier maintenance
- Low working noise (lower than 75 decibel) and light dust pollution

Specification and Technical Parameter

Model	Impeller Speed (r/min)	Max. Feeding Size (mm)	Capacity (t/h)	Power (kW)	Overall Dimensions (LxWxH)(mm)
PCL-600	2000~2600	26	8~50	30x2	2800x1550x2030
PCL-600B	2000~2600	26	8~50	37x2	2800x1550x2030
PCL-750	1500~2500	35	25~55	45x2	3300x1800x2440
PCL-900	1300~1700	35	55~120	55x2	3750x2120x2660
PCL-900B	1000~1450	40	60~150	90x2	3750x2120x2660
PCL-1050	1000~1700	40	100~160	110x2	4480x2450x2906
PCL-1250	950~1200	40	100~200	132x2	4563x2650x3176
PCL-1350	800~1200	60	160~360	200x2	5340x2940x3650

The movable upper cover locking allows its easy opening.

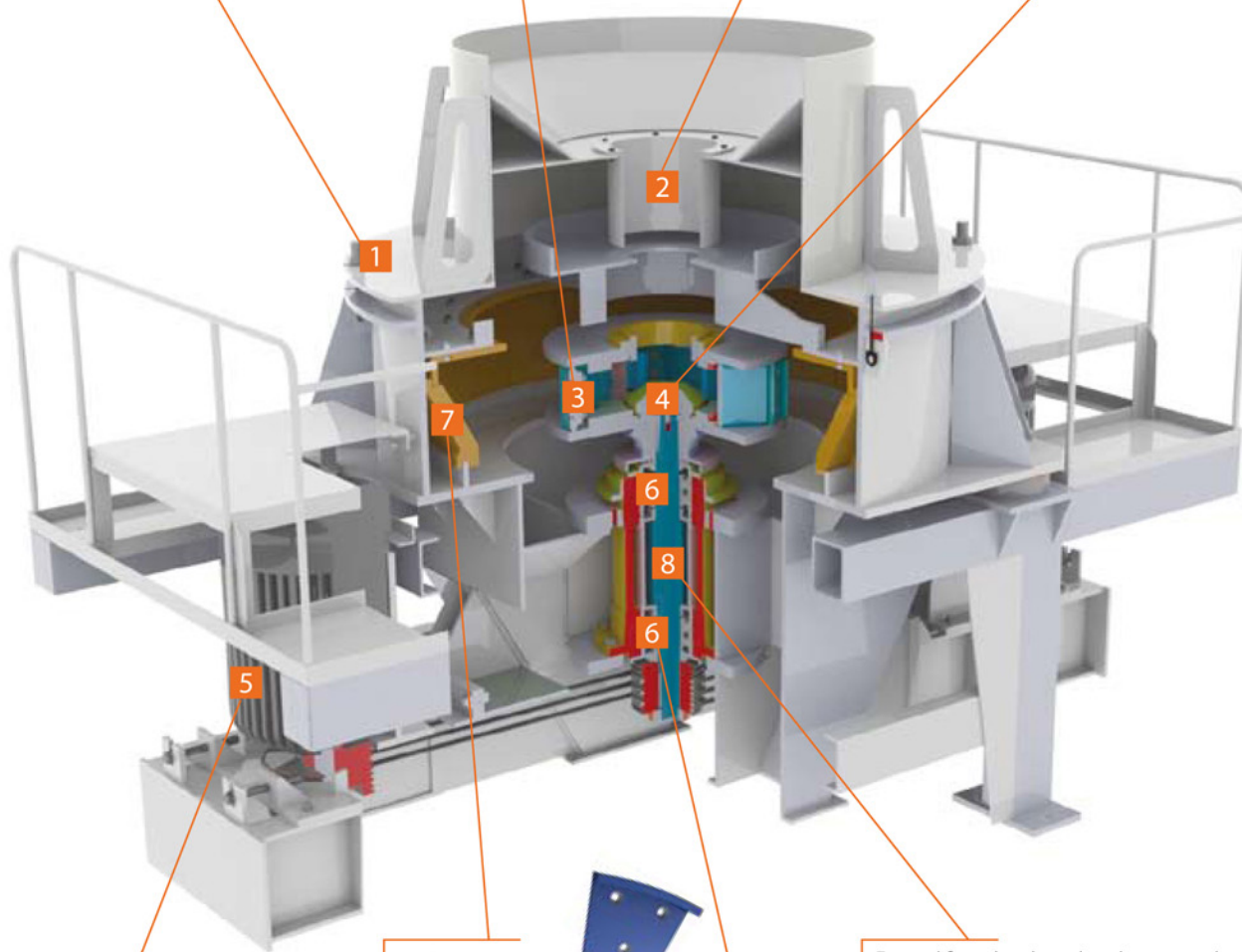


The wear block of high strength can crush the materials effectively and prolong service life of main unit.

Feeding pipe of high abrasive alloy material allows long service life.



Distributor of high chromium iron allows long service life.



High manganese steel plate, have long service life.



Forged from hardened and tempered chrome molybdenum steel, Particularly large diameters to suit heavy -duty application

Vertical motor is produced by famous manufacturers nationwide and it can operate under various working conditions.

Vertical bearings are produced by the largest manufacture nationwide (ZWZ) and they can support the upper part effectively. (Bearings of SKF also can be used)

Hydraulic Cone Crusher

Ergon series hydraulic cone crusher get to world advanced level, is designed and made through absorbing world advanced crushing technology. It is widely used in metallurgical, aggregate, building material industries, it is suitable for crushing various of hard and above mid hard ores and rocks.

Optimized cavity and higher output

Ergon series hydraulic cone crusher is a novel cone crusher developed by engineers of Vipeak company with reference to advantages of the most reliable and advanced cone crusher in the world. Through much theoretic analysis and practice examination, engineers in Vipeak designed this hydraulic cone crusher on the basis of advantages and disadvantages of different kinds of cone crusher. Its output is high and its energy consumption is low. Under the same diameters of mantle, the crushing stroke is longer and the crushing ration is bigger. Laminated crushing function can be fully realized with full load, which can ensure reliable composition and good shape of final sizes.



Even shorter stop time

Ergon cone crusher adopts hydraulic pressure locking, overloads protection. When some unbreakable foreign materials enter the crushing cavity, hydraulic system can release the impact force gently to protect the mainframe and the discharge opening will go back to the original place after the foreign materials are discharged. If cone crusher is stopped with load, the whole-new hydraulic cylinder of double functions clears the materials in the cavity, and then the discharge opening goes back to the original place. Compared with the traditional spring cone crusher, the hydraulic cone crusher will be even safer and faster, which will save stop time.

Replacement without compounds

Ergon cone crusher adopts the fixed form of concave and mantle. Its lock is even more reliable. It does not need compounds, which will greatly shorten the replacement time. If the customer wants to change the shape of cavity, he can only change the concave and mantle.

Technical Parameter of Cone Crusher:

Model	Max feeding size (mm)	Discharge range (mm)	Motor power (kW)	Capacity (t/h)—open circuit, closed discharge (mm)										
				9	13	16	19	22	26	32	38	51	63	
HPC160C	160	22-32												
HPC160M	130	13-26	75-90	40-70	60-85	80-100	90-110	100-120	110-130	140-160				
HPC160F	50	9-19												
HPC180C	180	22-32												
HPC180M	140	13-32	132-160	60-90	80-110	100-135	120-155	140-185	160-195	180-215				
HPC180F	60	9-22												
HPC220C	240	26-51												
HPC220M	150	16-38	160-220	70-90	90-110	115-140	130-160	150-190	200-250	250-300	300-350	350-420		
HPC220F	80	9-22												
HPC315C	330	32-63	315-375		100-130	130-180	170-205	210-255	250-295	300-340	350-390	400-480	500-600	

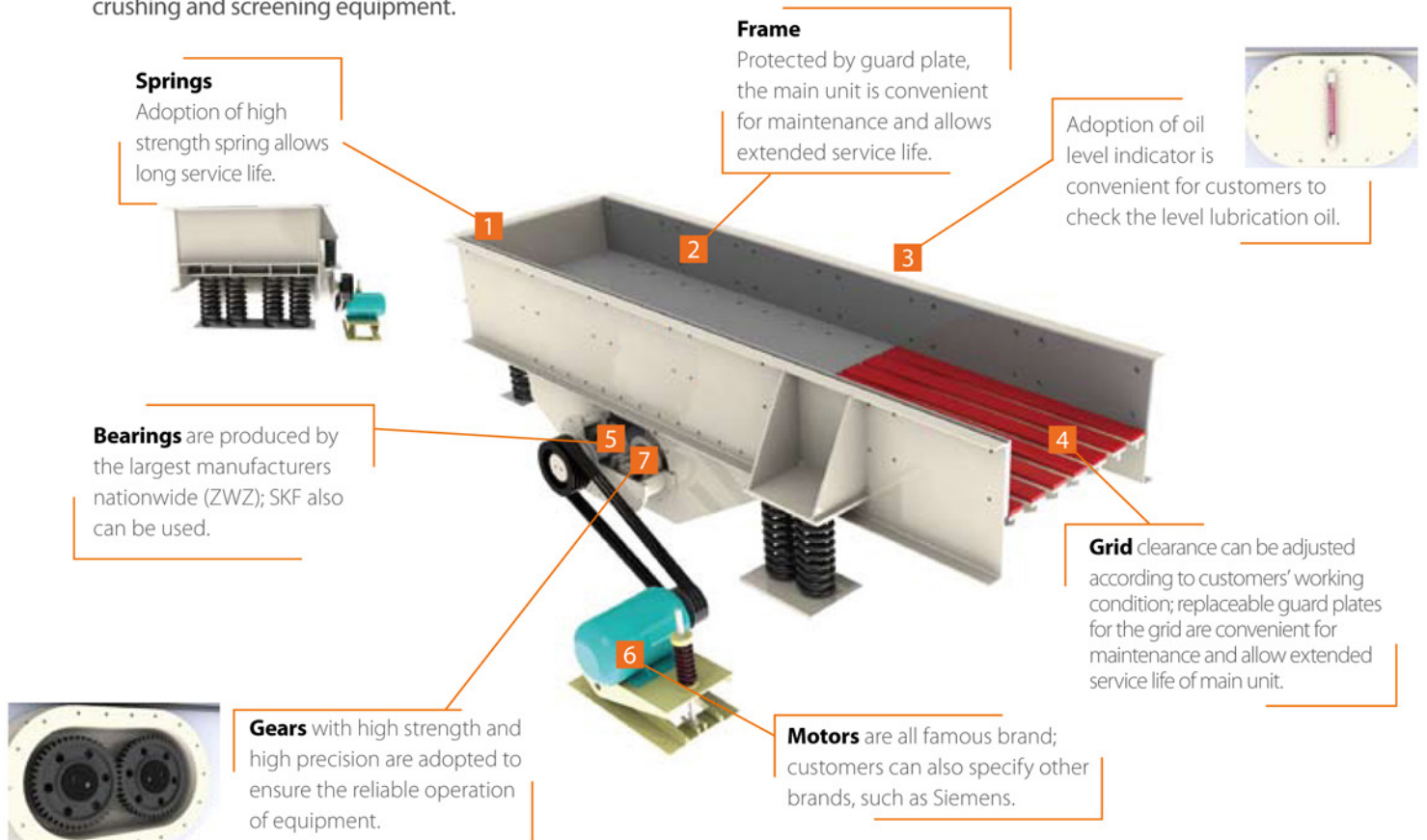
Vibrating Feeder

Applications:

- The vibrating feeder, the material will be fed evenly and continuously from the hopper to grinders or crushers.
- As a primary screen.
- Widely used in metallurgy, coal, mineral processing, building materials, chemical, abrasive and other industries crushing and screening equipment.

Advantages:

- Simplicity in structure
- Uniform feed material
- Continuous performance



Springs

Adoption of high strength spring allows long service life.

Frame

Protected by guard plate, the main unit is convenient for maintenance and allows extended service life.

Adoption of oil level indicator is convenient for customers to check the level lubrication oil.

Bearings are produced by the largest manufacturers nationwide (ZWZ); SKF also can be used.

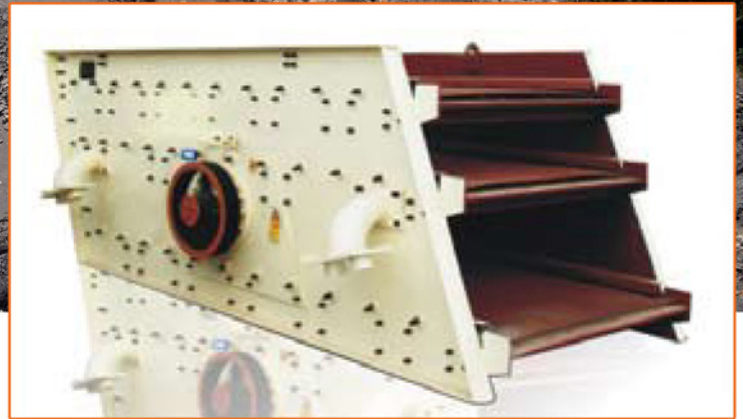
Grid clearance can be adjusted according to customers' working condition; replaceable guard plates for the grid are convenient for maintenance and allow extended service life of main unit.

Gears with high strength and high precision are adopted to ensure the reliable operation of equipment.

Motors are all famous brand; customers can also specify other brands, such as Siemens.

Specification and Technical Parameter

Model	Max. Feeding Size(mm)	Capacity (t/h)	Speed of Eccentric shaft(r/min)	Model of Motor	Power (kW)	Motor Speed (r/min)	No. of Motor	Installation Angle	Overall Dimensions (LxWxH)(mm)	Machinery Weight (t)	Size of Funnel (mm)
GZD-180x80	300	30~80		YZO-20-6	2x1.5	970	2	0~10	2200x1100x800	0.8	1800x800
GZD-300x90	500	40~100		YZO-30-6	2x2.2	970	2	0~10	3050x1430x1550	1.5	3000x900
GZD-370x100	700	150~300		YZO-30-6	2x3.2	970	2	0~10	4250x1874x1130	3.64	3700x1050
GZD-430x120	800	200~400		YZO-30-6	2x5.5	970	2	0~10	4955x2206x1120	4.2	4300x1200
ZSW-380x96	500	90~100	500~714	Y180L-8	11	750	1	0	3882x2224x2121	3.98	3800x960
ZSW-420x110	580	200~430	500~800	Y180L-6	15	970	1	0	4400x2050x1660	4.8	4200x1100
ZSW-490x96	500	120~240	500~800	Y180L-6	15	970	1	0	4957x2277x2150	5.25	4900x960
ZSW-490x110	580	120~280	500~800	Y180L-6	15	970	1	0	4957x2400x2150	5.32	4900x1100
ZSW490X130	720	200~320	500~800	Y180L-6	22	970	1	0	4957x2580x1870	5.9	4900x1300
ZSW-590x110	740	280~370	500~800	Y180L-6	22	970	1	0	6000x2500x2150	6.13	5900x1100
ZSW-600x130	750	400~560	500~800	Y180L-6	30	970	1	0	6082x2580x2083	7.8	6000x1300



Vibrating Screen

Applications:

Vibrating Screen is widely used for grading and screening materials in the following fields: minerals, quarry, building materials, water conservancy and hydropower, transportation, chemical industry, smelting and so on.

Advantages:

- Long screen line
- Correct to screen all kinds of specification products
- Reliable structure
- Strong exciting force, high screening efficiency, low vibrating noise, long durability
- Convenient maintenance, safe operation

Vibrating Screen

Model	Layer of Screen	Double Amplitude (mm)	Size of Sieve Pore (mm)	Max. Feeding Size (mm)	Capacity (t/h)	Model of Motor	Motor Power (kW)	Vibrating Frequency (r/min)	Screen Specification (mm)	Total Weight (kg) (Excluding Electric Motor)	Dimension (LxWxH) (mm)
2YA1237	2	8	4-50	400	16-90	Y160M-4	11	700-950	1200x3700	3300	4006x2250x2649
3YA1237	3	8	4-50	400	16-90	Y160M-4	11	700-950	1200x3700	3600	4006x2250x3133
4YA1237	4	8	4-50	400	16-90	Y160M-4	11	700-950	1200x3700	4000	4006x2250x3563
2YA1548	2	8	5-50	400	22.5-162	Y160L-4	15	700-950	1500x4800	4200	5111x2585x3053
3YA1548	3	8	5-50	400	22.5-162	Y160L-4	15	700-950	1500x4800	5000	5111x2585x3573
4YA1548	4	8	5-50	400	22.5-162	Y160L-4	15	700-950	1500x4800	6100	5111x2585x4000
2YA1848	2	8	5-80	400	32-276	Y180M-4	18.5	700-950	1800x4800	6500	5111x2947x3053
3YA1848	3	8	5-80	400	32-276	Y180M-4	18.5	700-950	1800x4800	7100	5111x2947x3538
4YA1848	4	8	5-80	400	32-276	Y180M-4	18.5	700-950	1800x4800	7800	5111x2947x3968
2YA1860	2	8	5-100	400	65-586	Y180M-4	22	700-950	1800x6000	8100	6258x2947x3470
3YA1860	3	8	5-100	400	65-586	Y180M-4	22	700-950	1800x6000	8500	3258x2987x3955
4YA1860	4	8	5-100	400	65-586	Y180M-4	22	700-950	1800x6000	9100	6258x2967x4487
2YA2160	2	8	5-100	400	81-720	Y200L-4	30	700-900	2100x6000	9780	6261x3467x3666
3YA2160	3	8	5-100	400	81-720	Y200L-4	30	700-900	2100x6000	11800	6261x3467x4092
4YA2160	4	8	5-100	400	81-720	Y200L-4	37	700-900	2100x6000	12000	6261x3467x4582
2YA2460	2	8	5-100	400	90-810	Y2555-4	37	700-900	2400x6000	13600	6261x3767x3603
3YA2460	3	8	5-100	400	90-810	Y2555-4	37	700-900	2400x6000	14200	6261x3782x4082
4YA2460	4	8	5-100	400	90-810	Y2555-4	37	700-900	2400x6000	15000	6261x3782x4582

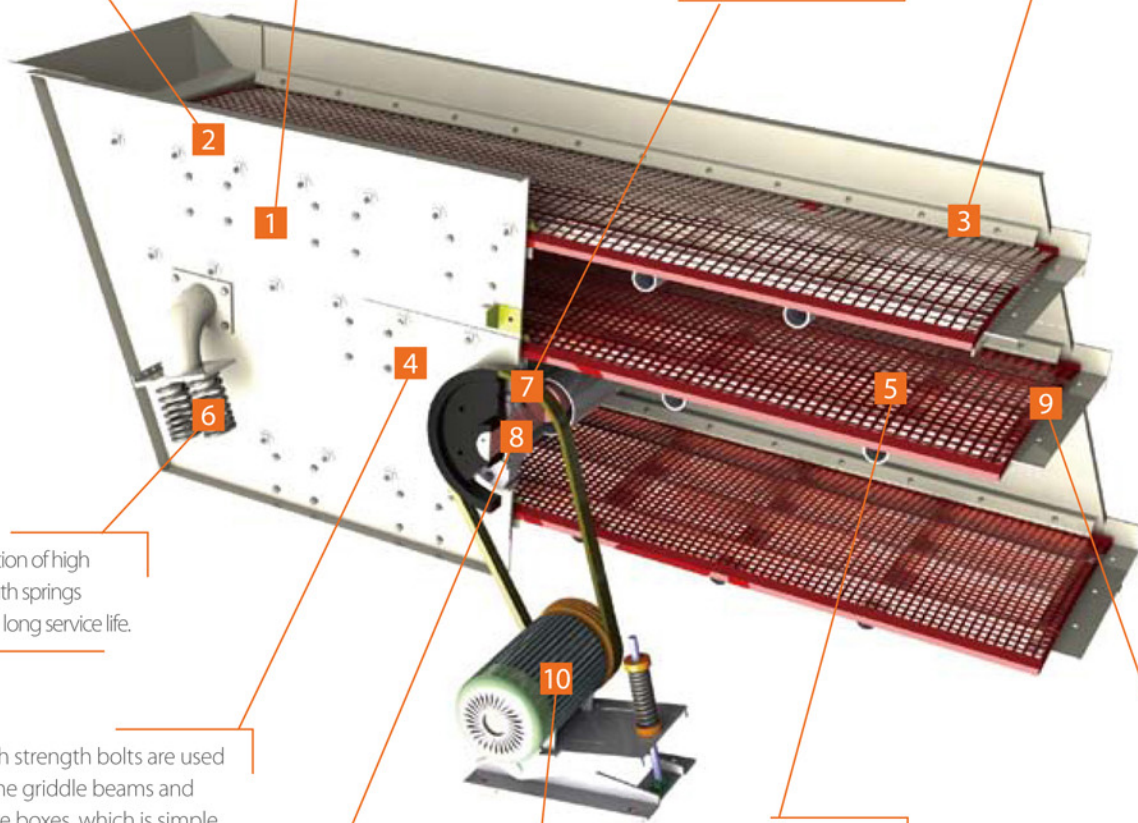


Pinch plate is used to fasten the screens cloth inside vibrating screen, which is firm and easy for replacement.

The annular grooves are riveted, which is advanced in structure and durable in operation.

The boiler steel plate with high strength and high tear resistance is used.

Bearings are produced by the largest manufacture nationwide (ZWZ) and SKF also can be used. The vibrator with ample clearance bearings has low noise and long service life.



Adoption of high strength springs allows long service life.

High strength bolts are used in the griddle beams and sieve boxes, which is simple in structure and convenient in aintenance.

Main shaft

Forged from hardened and tempered chrome molybdenum steel, Particularly large diameters to suit heavy - duty application.

Motors are all famous brand; customers can also specify other brands, such as Siemens.

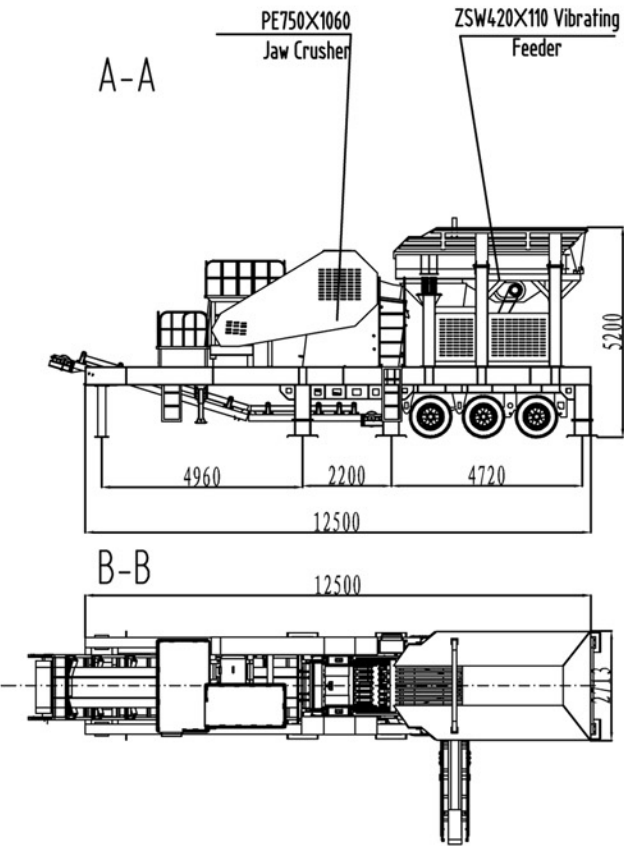
The screen cloth of high abrasive material allows extended service life. (The polyamine materials also can be used)



Screen cloth is high in central and low in both sides, which enables the materials to scatter onto both sides and improves the screening efficiency.

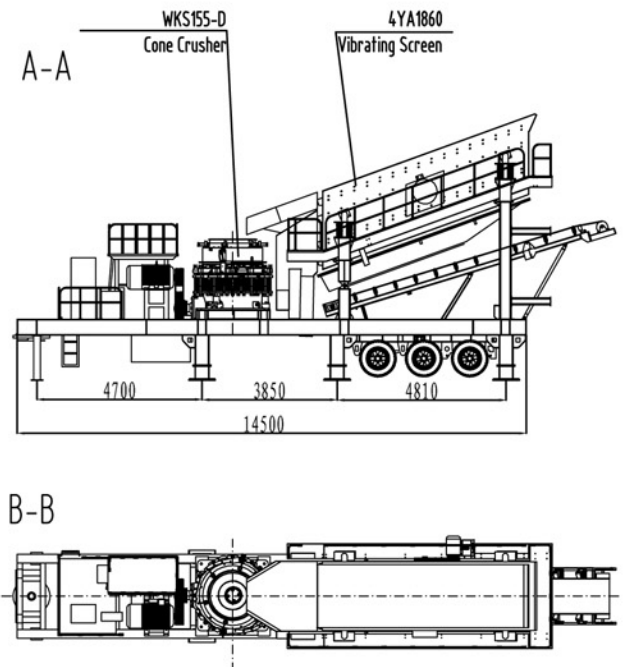
Jaw Crusher Series

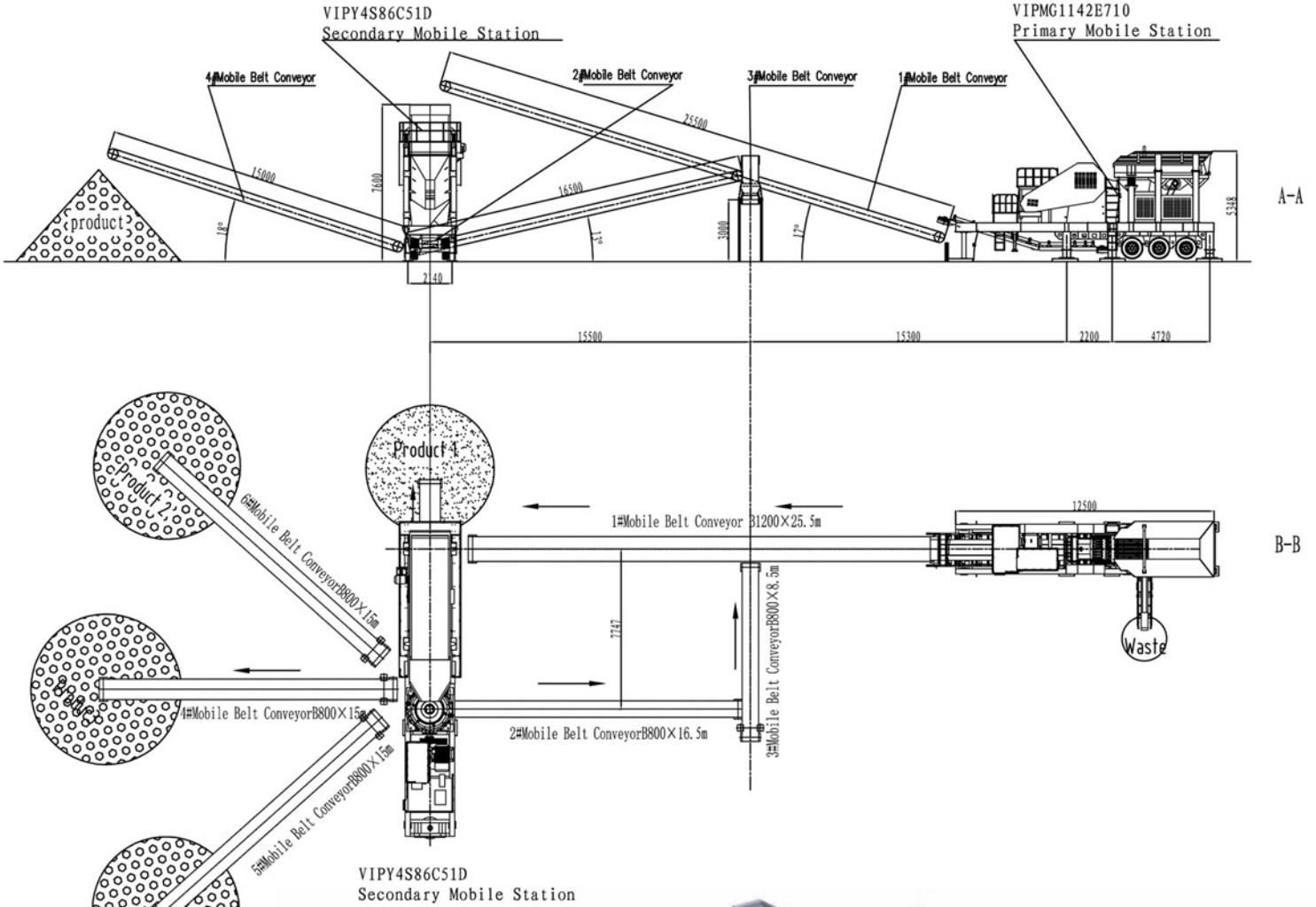
- Even final particles and high crushing ratio
- Simple structure, easy maintenance
- Low operating cost
- Could work independently, or could be driven by diesel generators, which overcomes the limitation of industrial power



Cone Crusher Series

- High capacity, efficiency, medium and fine crushing
- Self-load belt conveyor
- Could work independently, or could be driven by diesel generators, which overcomes the limitation of industrial power







Jaw Crusher Series

- Even final particles and high crushing ratio
- Simple structure, easy maintenance
- Low operating cost
- Could work independently, or could be driven by diesel generators, which overcomes the limitation of industrial power

Specification of vehicle:

Parameter Model	Feeder Model	Jaw crusher Model	Belt conveyor Model	Extended conveyor	Generator	Capacity (t/h)	Power (kW)
MG938E69	ZSW-960X380	PE600X900	B650X7M	adapting	adapting	70-150	91.5
MG1142E710	ZSW1100X4200	PE750X1060	B800X9M	adapting	adapting	80-200	134
MG1349E912	ZSW-1300X4900	PE900X1200	B1000X11M	adapting	adapting	150-300	146



Impact Crusher Series

- High capacity, efficiency, economy, high adaptability
- Self-loading conveyor
- Could work independently, or could be driven by diesel generators, which overcomes the limitation of industrial power

Specification of vehicle:

Parameter Model	Vibrating screen	Impact crusher	Belt conveyor (down)	Belt conveyor (Up)	Belt conveyor	Capacity (t/h)	Power (kW)	Remarks
M3S1548F1010	3YA1548	PF1010	B500X7M			50-80	70-90	
M3S1848F1210	3YA1848	PF1210	B650X7M			80-130	128.5-150.5	
M3S1860F1214	3YA1860	PF1214	B650X8M			100-180	154-190	
M3S2160F1315	3YA2160	PF1315	B800X8M			170-260	210-297	
M3S1848F1210Z	3YA1848	PF1210	B650X7M	B650X16M	B650X10M	80-130	148-168	Self-loading
M3S1860F1214Z	3YA1860	PF1214	B650X8M	B800X16M	B800X11M	100-180	182-218	Self-loading



Cone Crusher Series

- High capacity, efficiency, medium and fine crushing
- Self-load belt conveyor
- Could work independently, or could be driven by diesel generators, which overcomes the limitation of industrial power

Model and specification of main unit

Parameter Model	Vibrating screen	Impact crusher	Belt conveyor (down)	Belt conveyor (Up)	Belt conveyor	Capacity (t/h)	Power (kW)	Remarks
M3S1548Y90	YA1548	WKS-90	B500X7M			50-90	75	
M3S1860Y155	YA1860	WKS-155	B650X8M			110-455	212.5-220.5	
M3S2160Y220Z	YA2160	WKS-220	B800X8M	B1000X17M	B1000X11M	140-330	287.5-294.5	Self-loading



YGFS various crushers combined crushing plant series

- Economical and practical mobile crusher
- Full-automatic and self-loading multifunctional integration system including conveyor and screening
- Could work independently, or could be driven by diesel generators, which overcomes the limitation of industrial power
- For the crusher, could be used with cone crusher and impact crusher

Specification of vehicle:

Parameter Model	Vibrating feeder	Jaw crusher	Cone crusher	Belt conveyor (down)	Belt conveyor (up)	Belt conveyor	Vibrating screen	Capacity (t/h)	Power (kW)	Generator
M3G83E57F1010S	ZSW-850X300	PE500X750	WKS-90	B500X7M	B650X15M	B650X10M	3YA1548	50-80	160-170	adapting
M3G938E69F1210S	ZSW-960X3800	PE600X900	WKS-155	B650X7M	B650X15M	B650X10M	3YA1848	80-130	245-260	adapting
M3G1142E710F1214G	ZSW-1100X4200	PE750X1060	WKS-155	B650X8M	B800X16M	B800X11M	3YA1860	100-180	260-280	adapting

Ordered in various configurations according to customer requirement

Hammer Crusher

The material crushed by the Hammer Crusher (Hammer Mill) through the collisions between high-speed hammer and materials. The PC Hammer Crusher(Hammer Mill) were developed for both dry and wet crushing of brittle, medium-hard materials for the mining, cement, coal, metallurgic, construction material, road building, and petroleum & chemical industries.

Working Principle of Hammer Crusher:

The motor drives the rotor rotates of the Hammer Crusher at a high speed through the belt, and on the rotor there are series hammers. When the materials get into the working area of hammers, they are crushed by the rotating hammers of the Hammer Crusher with high rotation speed, the products which are crushed to meet the required size can be discharged by the outlet and become the final products, the large size products are brought back to the crushed area by the hammers of the Hammer Crusher for being re-crushed until they reached the required size.



Hammer Crucher

Model	Input Size (mm)	Output Size (mm)	Capacity (t/h)	Power (kW)	Weight (t)
PC400x300	< 100	< 15	5~10	11	0.8
PC600x400	< 200	< 15	10~25	22	1.5
PC800x600	< 350	< 15	20~50	55	4.7
PC800x1000	< 400	< 15	20~75	75	7.9

Magnetic Iron Separator

The magnetic iron separator is suitable for continuous- duty occasions with few iron. This equipment has a strong magnetic field intensity, no energy consumption and a long service life. It is easy to install and operate without maintenance. This equipment is widely used for the iron separation from non-magnetic materials on belt conveyors, vibrating conveyors, vibrating feeders, blanking chutes, etc.

Features:

- Strong magnetic field intensity
- The wholly sealed structure makes the separator water-proof, dust-proof and corrosion resisting
- No energy consumption
- Easy to install and convenient to operate
- High efficiency and stable performance
- High processing capacity and a long service life



Series RCYC(D)-T auto cleaning belt super permanent magnetic iron separator



Series RCYB permanent magnetic iron separator



Thessaloniki - Greece
tel: +30 2310 755 318
fax: +30 2310 759 776
e-mail: info@stefasergon.gr
www.stefasergon.gr